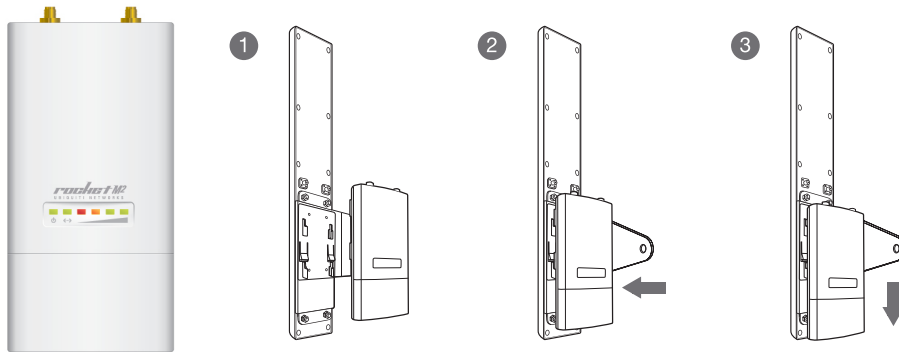


ROCKET M5: 5GHz Hi Power 2x2 MIMO AirMax TDMA BaseStation



airMAX
MIMO TDMA Protocol

COMPATIBLE ANTENNAS

AirMax Sector 5G-17-90
AirMax Sector 5G-16-120
AirMax Sector 5G-20-90
AirMax Sector 5G-19-120
Rocket Dish 5G-30

SYSTEM INFORMATION

Processor Specs	Atheros MIPS 24KC, 400MHz
Memory Information	64MB SDRAM, 8MB Flash
Networking Interface	1 X 10/100 BASE-TX (Cat. 5, RJ-45) Ethernet Interface

REGULATORY / COMPLIANCE INFORMATION

Wireless Approvals	FCC Part 15.247, IC RS210, CE
RoHS Compliance	YES

OPERATING FREQUENCY 5470MHz-5825MHz

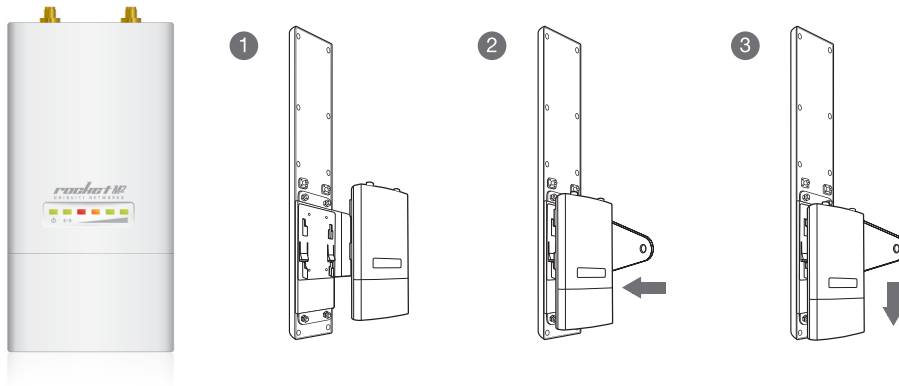
5GHz TX POWER SPECIFICATIONS				5GHz RX SPECIFICATIONS			
	DataRate	Avg. TX	Tolerance		DataRate	Sensitivity	Tolerance
11a	6-24Mbps	27 dBm	+/-2dB	11a	6-24Mbps	-94 dBm min	+/-2dB
	36Mbps	25 dBm	+/-2dB		36Mbps	-80 dBm	+/-2dB
	48Mbps	23 dBm	+/-2dB		48Mbps	-77 dBm	+/-2dB
	54Mbps	22 dBm	+/-2dB		54Mbps	-75 dBm	+/-2dB
5GHz 11n	MCS0	27 dBm	+/-2dB	5GHz 11n	MCS0	-96 dBm	+/-2dB
	MCS1	27 dBm	+/-2dB		MCS1	-95 dBm	+/-2dB
	MCS2	27 dBm	+/-2dB		MCS2	-92 dBm	+/-2dB
	MCS3	27 dBm	+/-2dB		MCS3	-90 dBm	+/-2dB
	MCS4	26 dBm	+/-2dB		MCS4	-86 dBm	+/-2dB
	MCS5	24 dBm	+/-2dB		MCS5	-83 dBm	+/-2dB
	MCS6	22 dBm	+/-2dB		MCS6	-77 dBm	+/-2dB
	MCS7	21 dBm	+/-2dB		MCS7	-74 dBm	+/-2dB
	MCS8	27 dBm	+/-2dB		MCS8	-95 dBm	+/-2dB
	MCS9	27 dBm	+/-2dB		MCS9	-93 dBm	+/-2dB
	MCS10	27 dBm	+/-2dB		MCS10	-90 dBm	+/-2dB
	MCS11	27 dBm	+/-2dB		MCS11	-87 dBm	+/-2dB
	MCS12	26 dBm	+/-2dB		MCS12	-84 dBm	+/-2dB
	MCS13	24 dBm	+/-2dB		MCS13	-79 dBm	+/-2dB
	MCS14	22 dBm	+/-2dB		MCS14	-78 dBm	+/-2dB
MCS15	21 dBm	+/-2dB	MCS15	-75 dBm	+/-2dB		

PHYSICAL / ELECTRICAL / ENVIRONMENTAL

Enclosure Size	16cm length x 8cm width x 3cm height
Weight	0.5 kg
RF Connector	2x RPSMA (Waterproof)
Enclosure Characteristics	Outdoor UV Stabilized Plastic
Mounting Kit	Pole Mounting Kit included
Max Power Consumption	8 Watts
Power Supply	24V, 1A POE Supply Included
Power Method	Passive Power over Ethernet (pairs 4,5+; 7,8 return)
Operating Temperature	-30C to 75C
Operating Humidity	5 to 95% Condensing
Shock and Vibration	ETSI300-019-1.4

802.11n / Airmax Support Only at this Time. 802.11a support expected with AirOS 5.1 Release by end of Year

ROCKET 2.4: 2.4GHz Hi Power 2x2 MIMO AirMax TDMA BaseStation



airMAX
MIMO TDMA Protocol

COMPATIBLE ANTENNAS

AirMax Sector 2G-16-90
AirMax Sector 2G-15-120
Rocket Dish 2G-26

SYSTEM INFORMATION

Processor Specs	Atheros MIPS 24KC, 400MHZ
Memory Information	64MB SDRAM, 8MB Flash
Networking Interface	2 X 10/100 BASE-TX (Cat. 5, RJ-45) Ethernet Interface

REGULATORY / COMPLIANCE INFORMATION

Wireless Approvals	FCC Part 15.247, IC RS210, CE
RoHS Compliance	YES

OPERATING FREQUENCY 2412MHz-2462MHz

TX POWER SPECIFICATIONS				RX SPECIFICATIONS			
	DataRate	Avg. TX	Tolerance		DataRate	Sensitivity	Tolerance
11b/g	1-24Mbps	28 dBm	+/-2dB	11b/g	1-24Mbps	-97 dBm min	+/-2dB
	36Mbps	26 dBm	+/-2dB		36Mbps	-80 dBm	+/-2dB
	48Mbps	25 dBm	+/-2dB		48Mbps	-77 dBm	+/-2dB
	54Mbps	24 dBm	+/-2dB		54Mbps	-75 dBm	+/-2dB
11n / Airmax	MCS0	28 dBm	+/-2dB	11n / Airmax	MCS0	-96 dBm	+/-2dB
	MCS1	28 dBm	+/-2dB		MCS1	-95 dBm	+/-2dB
	MCS2	28 dBm	+/-2dB		MCS2	-92 dBm	+/-2dB
	MCS3	28 dBm	+/-2dB		MCS3	-90 dBm	+/-2dB
	MCS4	27 dBm	+/-2dB		MCS4	-86 dBm	+/-2dB
	MCS5	25 dBm	+/-2dB		MCS5	-83 dBm	+/-2dB
	MCS6	23 dBm	+/-2dB		MCS6	-77 dBm	+/-2dB
	MCS7	22 dBm	+/-2dB		MCS7	-74 dBm	+/-2dB
	MCS8	28 dBm	+/-2dB		MCS8	-95 dBm	+/-2dB
	MCS9	28 dBm	+/-2dB		MCS9	-93 dBm	+/-2dB
	MCS10	28 dBm	+/-2dB		MCS10	-90 dBm	+/-2dB
	MCS11	28 dBm	+/-2dB		MCS11	-87 dBm	+/-2dB
	MCS12	27 dBm	+/-2dB		MCS12	-84 dBm	+/-2dB
	MCS13	25 dBm	+/-2dB		MCS13	-79 dBm	+/-2dB
	MCS14	23 dBm	+/-2dB		MCS14	-78 dBm	+/-2dB
MCS15	22 dBm	+/-2dB	MCS15	-75 dBm	+/-2dB		

PHYSICAL / ELECTRICAL / ENVIRONMENTAL

Enclosure Size	16cm length x 8cm width x 3cm height
Weight	0.5 kg
RF Connector	2x RPSMA (Waterproof)
Enclosure Characteristics	Outdoor UV Stabilized Plastic
Mounting Kit	Pole Mounting Kit included
Max Power Consumption	6.5 Watts
Power Supply	24V, 1A POE Supply Included
Power Method	Passive Power over Ethernet (pairs 4,5+; 7,8 return)
Operating Temperature	-30C to 75C
Operating Humidity	5 to 95% Condensing
Shock and Vibration	ETSI300-019-1.4